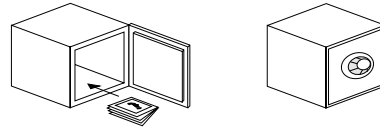
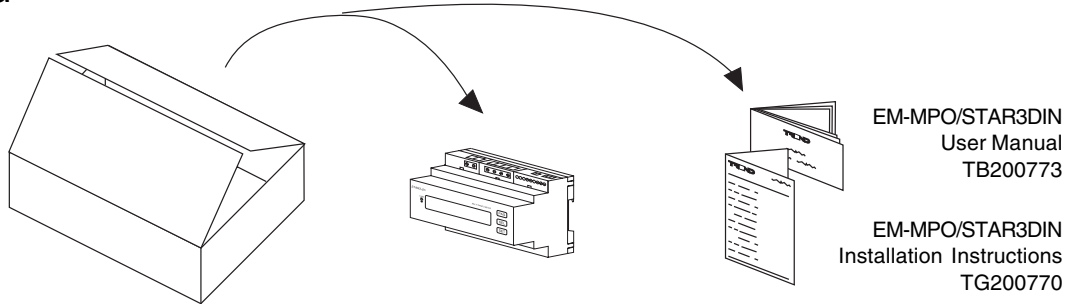


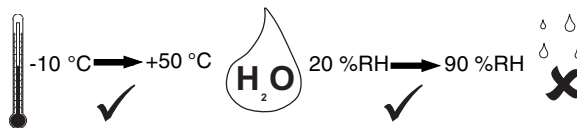
Important: Retain these instructions



UNPACKING



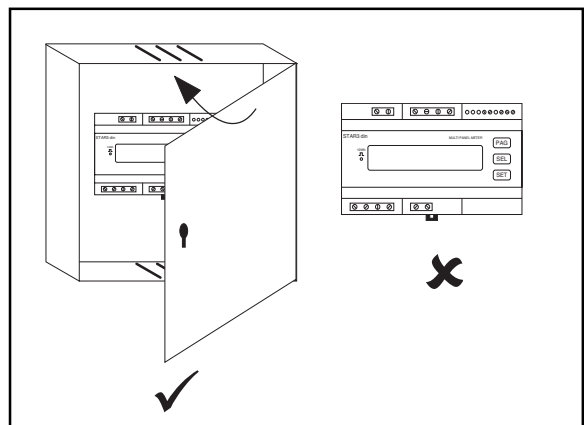
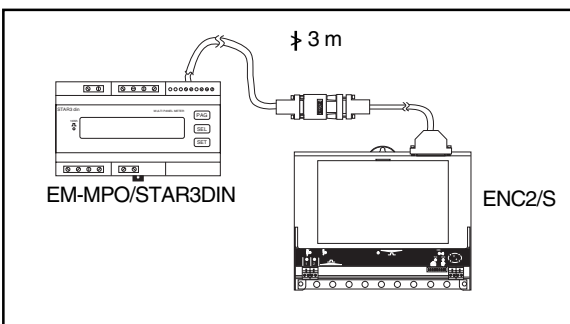
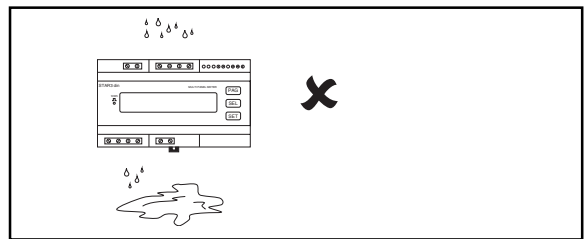
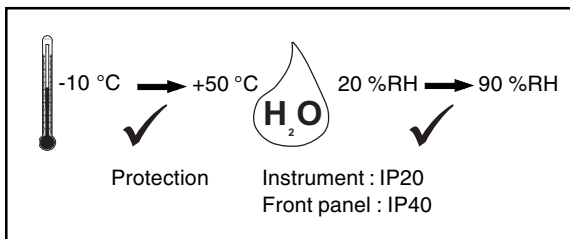
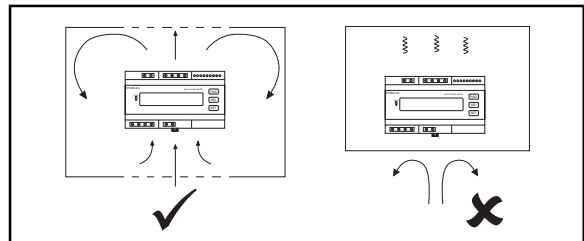
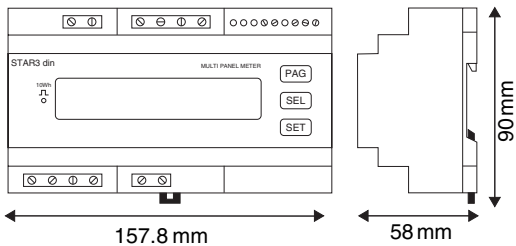
STORING



It is recommended that the installation should comply with the HSE Memorandum of Guidance on Electricity at Work Regulations 1989.

INSTALLATION

1 Choose the Location



INSTALLATION (continued)

2 **Mount DIN Rail**
if not using ACC/STAR3DIN/PANELKIT Panel Mounting Kit (see step 7)

3 **Fix on DIN Rail**
if not using ACC/STAR3DIN/PANELKIT Panel Mounting Kit

4 **Connect Power to Meter**

Power Connector 230 Vac +15 % -20 %, 35 to 400 Hz, 4VA Supply

115 Vac +15 % -20 %, 35 to 400 Hz, 4VA Supply

DO NOT APPLY POWER

Single part screw terminals, maximum cross section area cable 2.5 mm²

Note that this instrument does not require an earth connection

5 **Connect Measurement Connections**

Single part screw terminals, maximum cross section area cable 4 mm²

ABSOLUTE MAXIMUM CURRENT 7 A~
ABSOLUTE MAXIMUM VOLTAGE 600 V~

A

Single Phase with Neutral

A

2 Phase with Neutral

A

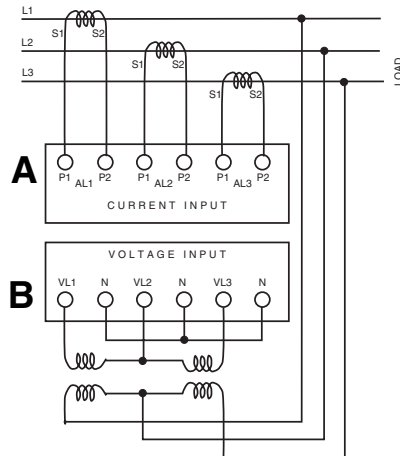
3 Phase without Neutral (Delta)

A

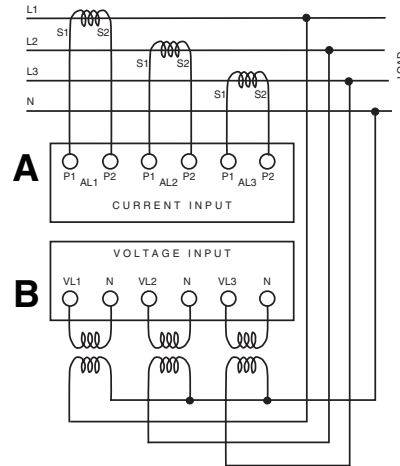
3 Phase with Neutral (Star)

INSTALLATION (continued)

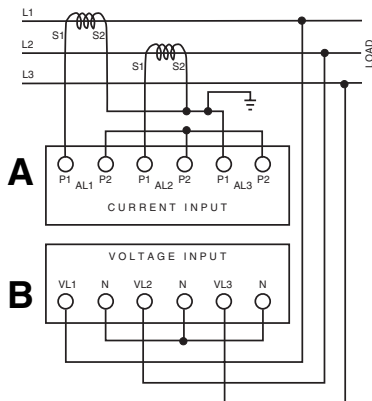
5 Connect Measurement Connections (continued)



3 Phase without Neutral (Delta) using 2VTs

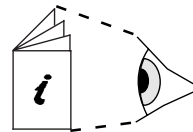


3 Phase with Neutral (Star) using 3CTs



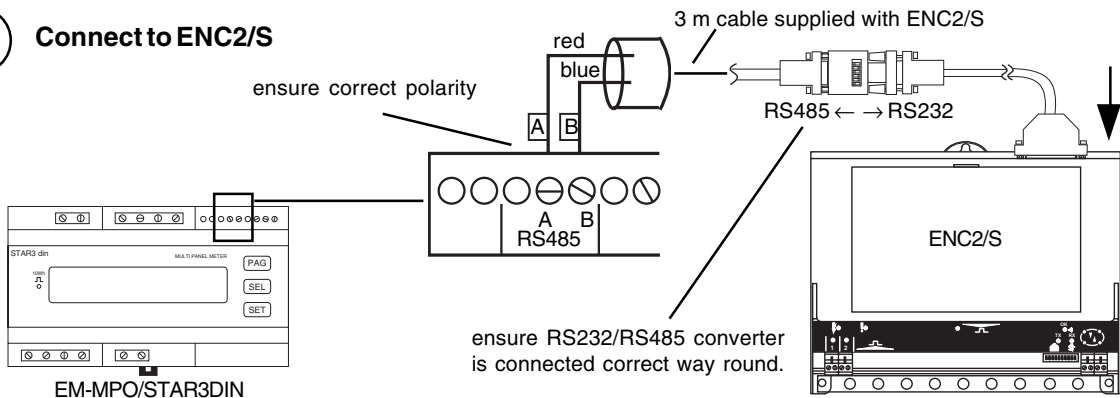
3 Phase without Neutral (Delta) using 2CTs

6 Fix ENC2/S

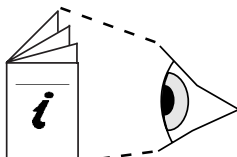


NBOX/ENC2/S
Installation Instructions
Sheet 1 Fixing
TG200270

7 Connect to ENC2/S

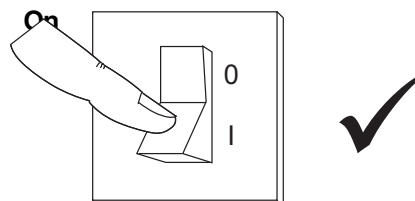


8 Install in Panel
if using ACC/STAR3DIN/PANELKIT Panel
Mounting Kit



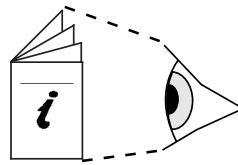
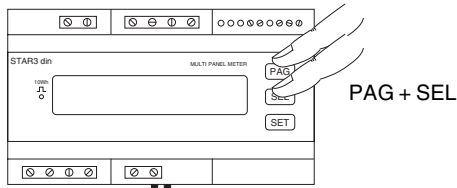
ACC/STAR3DIN/PANELKIT
Installation Instructions
TG200338

9 Switch



INSTALLATION (continued)

10 Configure Meter

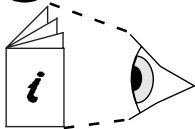


EM-MPO/STAR3DIN User Manual TB200773

Pages	Parameters	Default	Note
Password			
VT Ratio	Primary: secondary VT ratio	100:100	1
CT (PT) Ratio	Primary: secondary CT ratio	5:5	2
Integration Time	for Average Power: Current (selectable 0 to 99 mins)	15 mins	
Reset Counters	resets kWh, kVAh, kVAh	no	
Reset Averages and Peaks		no	
Cogeneration	to measure energy supplied back into mains yes/no	no	
Connect type	Delta/Star/Diphase/Single Phase	Star	3
RS485	Baud rate	default for ENC2/S baud rate: 9600	4
	Parity	default for ENC2/S parity:non	
	Protocol	protocol:IEEE MUST CHANGE PROTOCOL TO ASCII	5
Address	RS485 address (modbus)	default for ENC2/S: 1	4

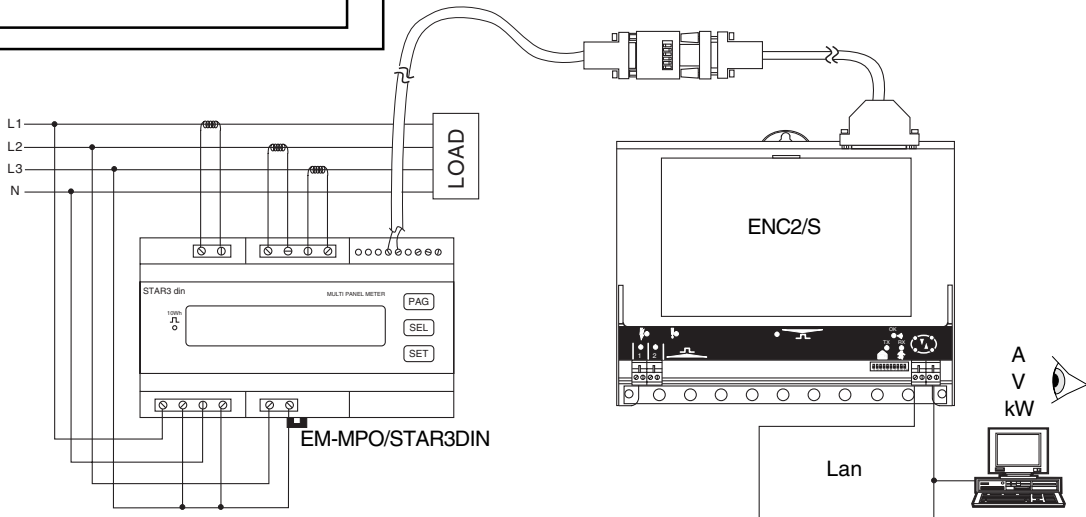
- 1 Default (100:100) for direct connect. Set up correct ratio if VT used.
- 2 Default (5:5) for direct connection. Set up correct ratio for CT used.
- 3 Change to match connection in step 4 above.
- 4 Default set for ENC2/S. Change back if it has been modified.
- 5 **THE PROTOCOL MUST BE CHANGED TO ASCII**

11 Configure ENC2/S



NBOX/ENC2/S Installation Instructions Sheet 2, Fixing TG200270

12 Check system



Trend Control Systems Ltd reserves the right to revise this publication from time to time and make changes to the content hereof without obligation to notify any person of such revisions or changes.

TREND	P.O. Box 34, Horsham, West Sussex, RH12 2YF United Kingdom		Website www.trend-controls.com
	Telephone +44 (0)1403 211888	Fax (International) +44 (0)1403 210982	Fax (UK) +44 (0)1403 241608

Registered office. 24 Queens Road Weybridge Surrey KT13 9UX Registered in England No 1664519